



# SURFACE MOUNTED EZYLOOPS®

## SMR-900

# EZYLOOPS

## PRODUCT DESCRIPTION

The surface mounted rubber loop mat (SMR) from the EzyLoops range is an electromagnetic vehicle detection mat that provides a suitable alternative to traditional Saw-cut or buried loops, especially where it is not possible to cut slots into the pavement surface for the loop cable. The loop is contained within high durability rubber to create a protective mat that allows the loop to be laid onto a surface as a single unit. There is no deep saw cutting and no compromise to the pavement.

The loop mat is ideal for uneven surfaces or segmented paving as well as situations that expose the mat to full sun and high ambient temperatures. The mat is adhered to the pavement using a single part adhesive that is long lasting in all climate conditions.

The EzyLoops SMR is supplied with a 6-metre feeder cable. Depending what suits your application, you can run the lead wire through our Lead Covers, meaning no saw cutting at all! Alternatively, a shallow cut (approximately 10mm deep by 5mm wide) is made in the pavement surface from the side of the mat to the curb to allow the feeder cable to be fed to the side of the vehicle lane. The slot must be sealed using an appropriate epoxy compound or commercial loop sealant.



SMR-900 utilising existing Lead Wire slot

## FEATURES

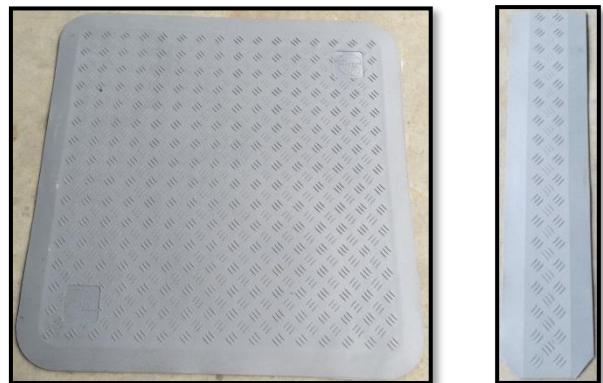
- Quick and easy installation
- Highly durable and long lasting
- 12 Month Manufacturer's Warranty
- Avoids deep saw cuts into pavement surface
- Ready-made inductive loop compatible to most loop detectors

## BENEFITS

- Avoiding loop burial reduces installation cost, time and disruption
- Loop can be configured and tested before final installation, saving time and cost
- Can be used on surfaces where there is an integral damp proof membrane
- Improves loop better performance, if steel reinforcement or other buried metal objects are in the concrete slab.
- Provides a quick and easy vehicle detection solution where the road surface is not ideally suited to buried loops (block or segmented paving, uneven surfaces, etc.).

## SPECIFICATIONS

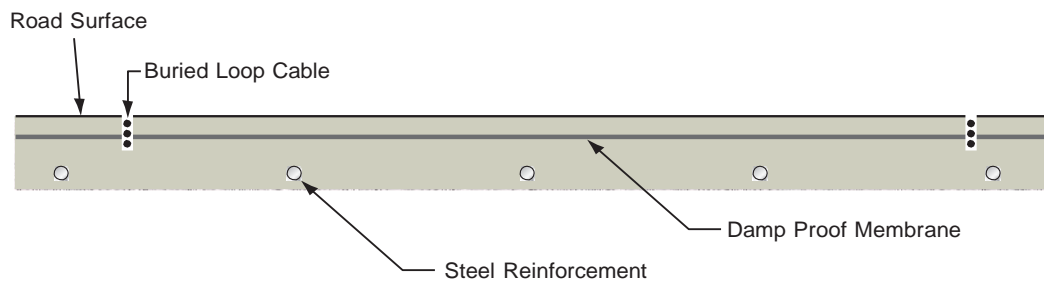
Mat Material:	High durability rubber
Mat Size:	900mm x 900mm (3ft x 3ft)
Mat Profile:	Overall height = 6mm, lip height = 2.5mm
Loop Turns:	5 turns (approximately 100 to 110 uH)
Feeder cable:	6 metres (18ft)
Feeder Protection:	High durability rubber strip, 300mm x 900mm (Lead Wire Cover) (1ft x 3ft)
Adhesive:	Contact Adhesive.



Close up of SMR-900 and Lead wire Cover

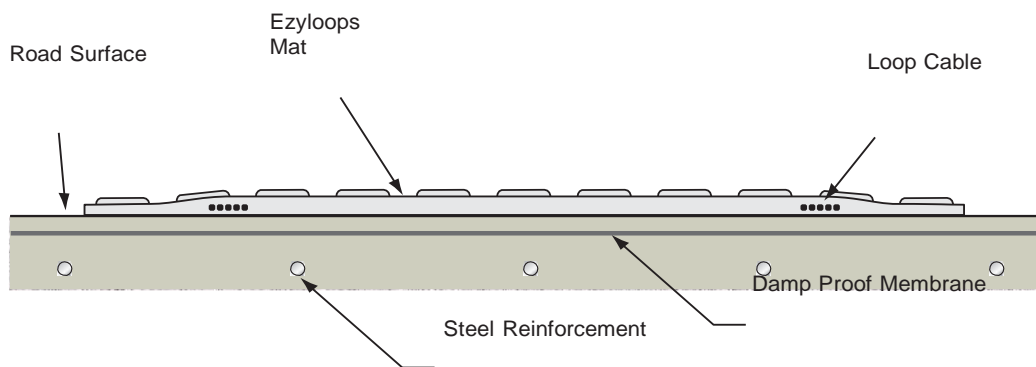
## Example Benefits

## Traditional Buried Loop



Buried cable requires a 30mm to 50mm cut in the road surface. This can interfere with a damp proof membrane in multi-storey car parks. Where there are steel reinforcement bars or other metal objects below the road surface, these can severely reduce the sensitivity of the loop.

## EzyLoops



As the EzyLoops mat is mounted on the surface of the road, it doesn't interfere with any damp proof membrane or coating. With the loop above the road surface, the increased distance from metal objects below the surface reduces the effect on loop sensitivity. Even a small increase in the gap can result in a significant improvement.

## Ordering Information

- SMR-900:** Inductive loop mat 900mm x 900mm (3ft x 3ft) complete with 6 metre (18ft) feeder cable.  
**SMR-Cover:** A 900mm x 300mm (3ft x 1 ft) lead wire cover and base.  
**Adhesive:** Use appropriate adhesive for the surface being adhered to. We recommend priming the road surface, and also the underside of the pad, then (for smooth surfaces) using a Contact Adhesive eg. Fuller's Rapid Grip Gel; Sika High Strength Adhesive or Selleys Kwik Grip, all easily available. For Asphalt or rough surfaces, use Sikasil SG10 available through us. Additional anchoring can be obtained with the use of Ramset bolts at each corner of the pad (supplied).

## Compatible Loop Detector

**PD134:** Single channel, boxed, 12-24 V DC



Ezyloops Pty Ltd • Unit 2, 26 Leighton Place • Hornsby • New South Wales • 2077

Phone: +61 (2) 9477 7262 • US Cell: 408 409 0918

email: [sales@ezyloops.com](mailto:sales@ezyloops.com) • Web: [www.ezyloops.com](http://www.ezyloops.com)

